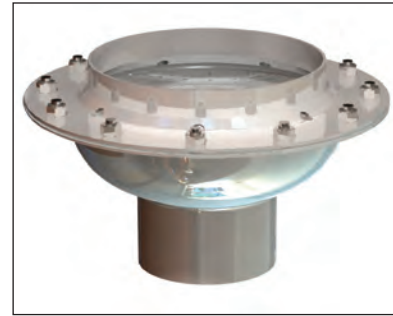


TROUGH LEAK ELIMINATOR

Made To Drain's Trough Leak Eliminator is designed to virtually eliminate leaks into occupied spaces below a floor trough installation. The sump drain and seepage flange assembly mates securely with the floor trough and is designed to clamp down on the waterproof membrane material providing a waterproof barrier. Liquids that pass through the flooring are captured by the waterproof membrane and forced to drain through a series of weep holes in the seepage flange back into the building drain line.

Traditional floor trough installations overlook this important feature and offer no waterproof barrier. Often, floor penetrations are left wide open and over time, through expansion and contraction of the floor trough and erosion and cracking of tile and grout around the pan, liquids will freely pass through the floor material and out through the building slab opening affecting offices, parking garages, mechanical rooms, decorative public use spaces, etc. Our unique design eliminates disruptive and costly repairs to building interiors, finished ceilings and resetting of the floor trough to repair eventual leaks.

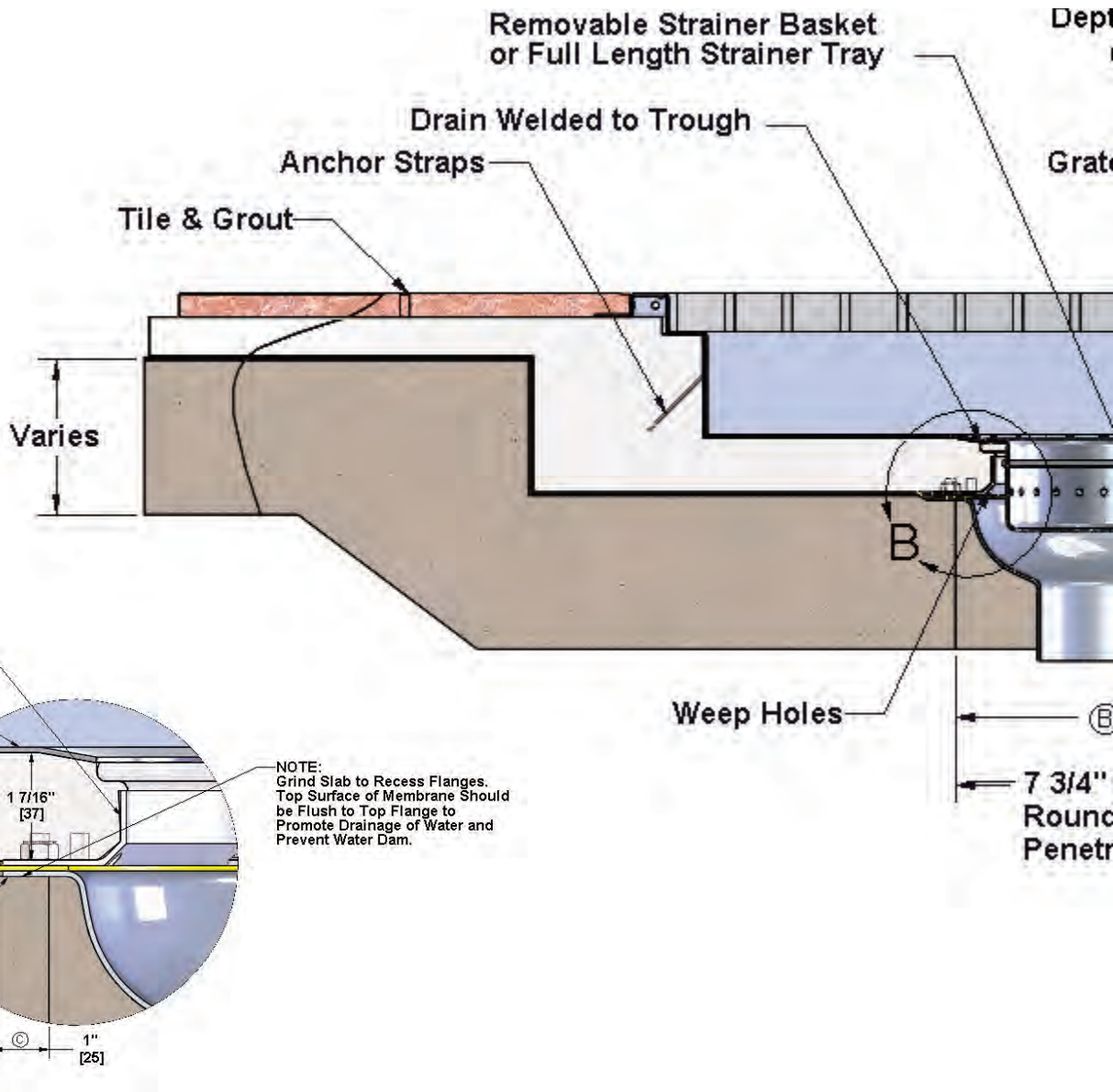


Model SF-1000

FEATURES

- Sump drain body, flange and welded threaded studs and bolts, made entirely of 14 gauge stainless steel
- All seams are welded, ground and polished watertight
- Adjustable in height by 3/4" (19) to suit field conditions
- Seepage flange mates to trough sump drain body, which provides additional stability and helps to anchor the pan
- The Trough Leak Eliminator is designed for use exclusively with all Made To Drain trough drains
- Easy to install
- Taller adjustable seepage flange collar available at additional cost (consult factory)





INSTALLATION INSTRUCTIONS

This product is not required for slab on grade applications.

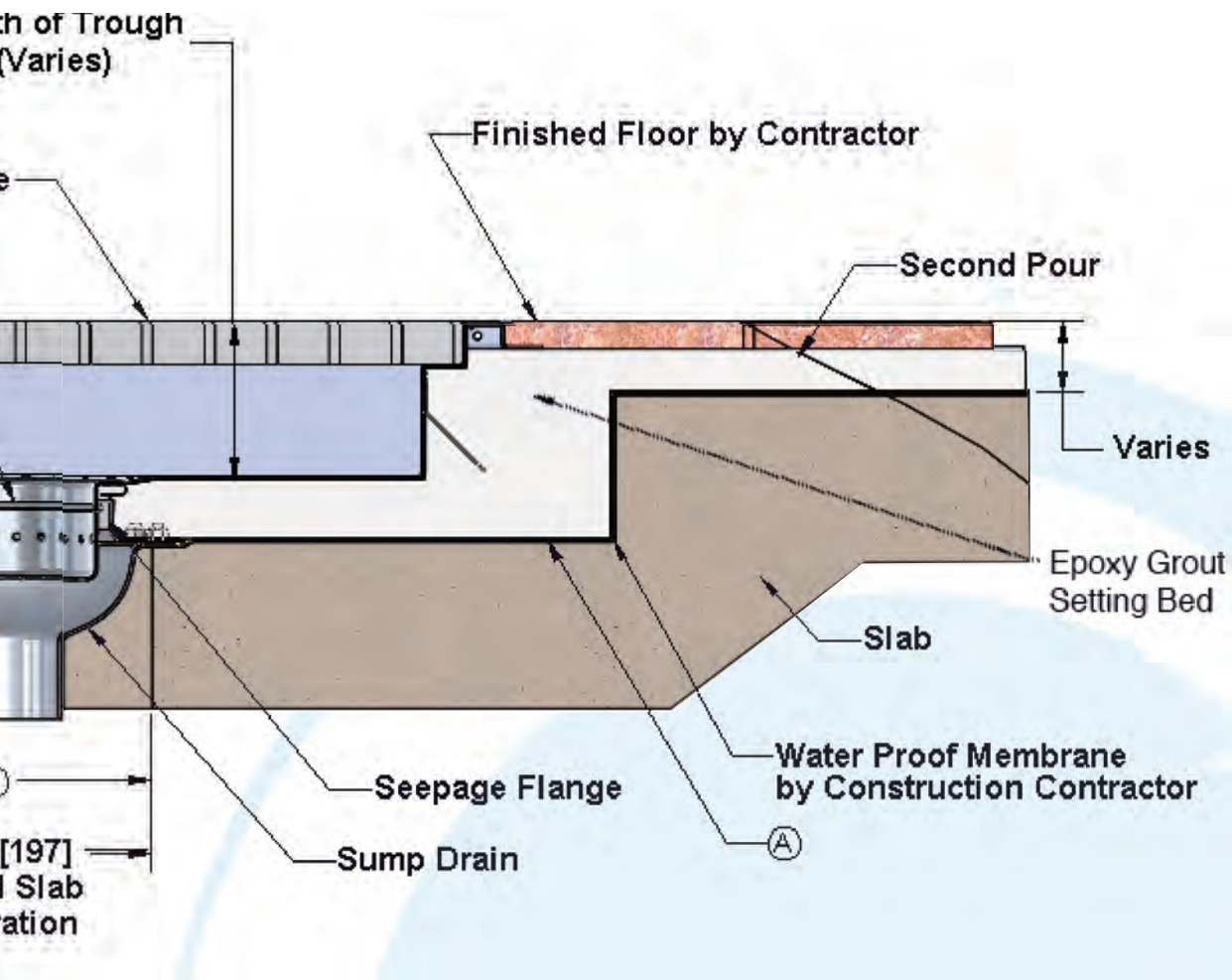
The Slab Depression

A slab depression will be required to accommodate the sump drain and seepage flange assembly and floor trough.

$$\text{Overall depth of floor trough pan} + 1 \frac{7}{16}'' (37) = \text{Minimum slab depression from finished floor elevation}$$

To adjust for finished floor elevations, the trough pan can be raised up to 3/4" (19) from the fully seated position.

- A. The bottom of the slab depression should be level and smooth.
- B. A 7 3/4" (197) round penetration will be required to support the flanges of the sump drain and seepage flange assembly.
- C. Provide a 1" (25) wide by 1/4" (6) deep recess around the perimeter of the slab penetration so the flanges (and membrane material) sit flush with the slab depression elevation. This is required to prevent damming of the liquids and to promote positive pitch and flow of liquids to the weep holes and building drain.



The Waterproof Membrane

For best results, the waterproof membrane material must be sheet or roll type so the material can be clamped water tight to the assembly. Liquid or troweled on membrane types are not recommended. Membrane material is not provided by Made To Drain and must be specified by others.

Applying Sealant

Apply a waterproof sealant:

- D. to the area where the spun bowl meets the building slab.
- E. between the flanges (two pieces)
- F. around the floor trough drain bowl once the trough is ready to be set into the sump drain and seepage flange (this is recommended to provide adhesion and to prevent the grout material from entering the assembly during installation.)

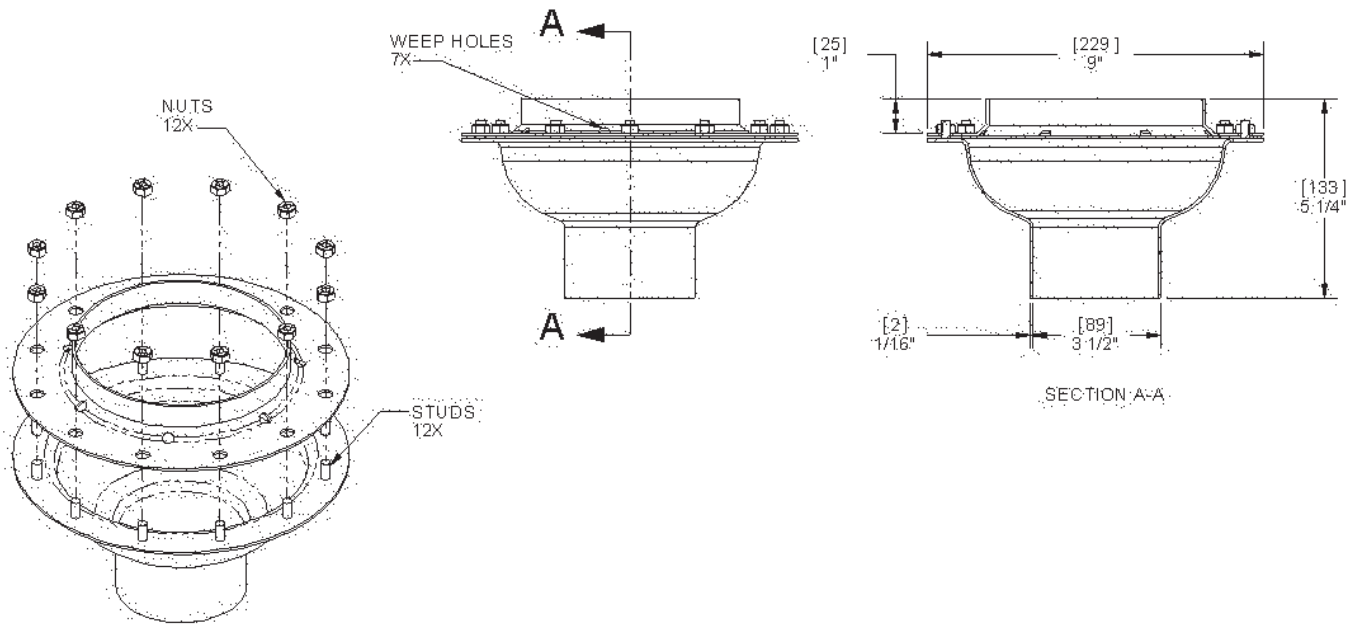
Setting the Concrete

Use an epoxy grout rather than a viscous material so you do not block up the weep holes.

SPECIFICATIONS

Provide two piece 2B stainless sump drain and seepage flange assembly. Sump drain to be a seamless bowl with twelve (12) stainless steel threaded studs welded watertight, to top edge of seepage flange collar. Drain outlet to have 3 1/2" (89) diameter tail piece. Seepage flange to contain twelve (12) holes to match sump drain flange and stud locations. In addition, seven (7) weep holes to be located at base of seepage flange to permit flow of liquids to building drain. Stainless steel nylon locking nuts to be provided for all threaded stud locations. This product is designed to mate and match with all Made To Drain floor trough products.

Patent Pending



Made To Drain warrants this product to be free from defects in material and workmanship for one year from the date of purchase. No warranties for application(s) are expressed or implied. Improper installation may result in property damage or incurred loss. Made To Drain shall not be liable for incidental or consequential damages, including, but not limited to cost(s) for water damage, demolition, repair, reinstallation/reconstruction of the affected area(s), or for any damage resulting from abuse or misuse of this product, or from failure to install the product in accordance with the written/graphic installation information provided.



4900 W. Electric Avenue • West Milwaukee, WI 53219

Sales & Service: (P) 866.895.7264 • (F) 414.902.6564

madetodrain.com