

TYPICAL INSTALLATION OF LEAK ELIMINATOR

*****SITE CONDITIONS MAY VARY, CONSULT LOCAL CODES*****

THIS PRODUCT IS BEST SUITED FOR SLAB ABOVE GRADE APPLICATIONS WITH CLEAR ACCESS BELOW THE SLAB TO MAKE PLUMBING CONNECTIONS. NOT TYPICALLY REQUIRED FOR SLAB ON GRADE APPLICATIONS.

THE SLAB DEPRESSION

A SLAB DEPRESSION IS REQUIRED TO ACCOMMODATE THE SUMP DRAIN AND SEEPAGE FLANGE ASSEMBLY AND FLOOR TROUGH. OVERALL DEPTH OF FLOOR TROUGH + 1 7/16" [37] = MINIMUM SLAB DEPRESSION (**REFER TO ARCHITECTURE DRAWINGS**)

- A. THE BOTTOM OF THE SLAB DEPRESSION SHOULD BE LEVEL AND SMOOTH
- B. A 7 3/4" [197] ROUND PENETRATION IS REQUIRED TO SUPPORT THE FLANGES OF THE SUMP DRAIN AND SEEPAGE FLANGE ASSEMBLY
- C. PROVIDE A 1" [25] WIDE BY 1/4" [6] DEEP RECESS AROUND THE PERIMETER OF THE SLAB PENETRATION SO THE SEEPAGE FLANGE AND MEMBRANE MATERIAL SITS FLUSH WITH THE SLAB DEPRESSION ELEVATION. THIS IS REQUIRED TO PREVENT DAMMING OF THE LIQUIDS AND TO PROMOTE POSITIVE PITCH AND FLOW OF LIQUIDS TO THE WEEP HOLES AND BUILDING DRAIN.

THE WATERPROOF MEMBRANE

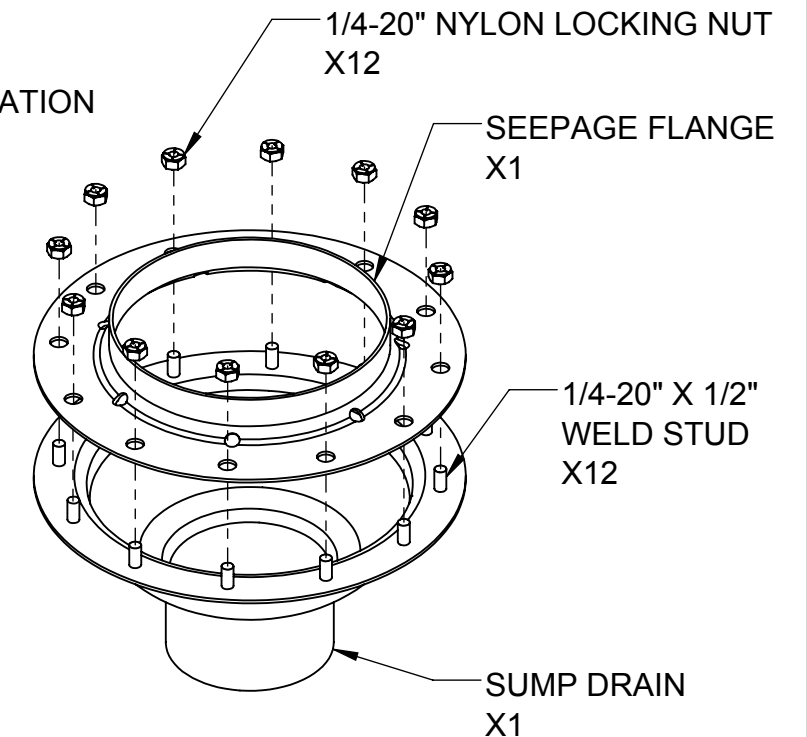
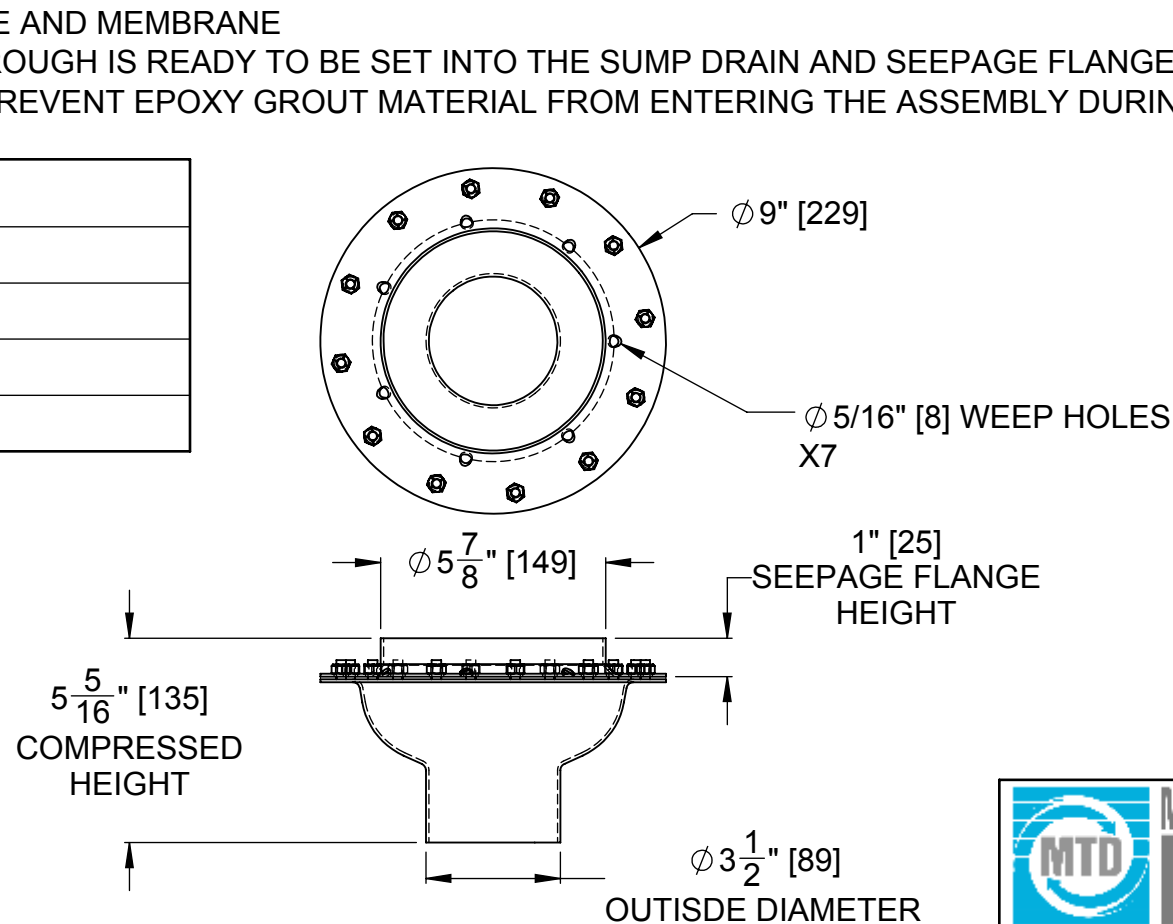
FOR BEST RESULTS, THE WATERPROOF MEMBRANE MATERIAL MUST BE SHEET OR ROLL TYPE SO THE MATERIAL CAN BE CLAMPED WATER TIGHT TO THE ASSEMBLY. LIQUID OR TROWELED MEMBRANE TYPES ARE NOT RECOMMENDED. MEMBRANE MATERIAL IS NOT PROVIDED BY MADE TO DRAIN AND MUST BE SPECIFIED BY OTHERS.

APPLYING SEALANT

APPLY A WATERPROOF SEALANT:

- D. TO THE AREA WHERE THE SPUN BOWL MEETS THE BUILDING SLAB
- E. BETWEEN THE SUMP DRAIN AND SEEPAGE FLANGE AND MEMBRANE
- F. AROUND THE FLOOR TROUGH BOWL ONCE THE TROUGH IS READY TO BE SET INTO THE SUMP DRAIN AND SEEPAGE FLANGE. THIS IS RECOMMENDED TO PROVIDE ADHESION AND TO PREVENT EPOXY GROUT MATERIAL FROM ENTERING THE ASSEMBLY DURING INSTALLATION

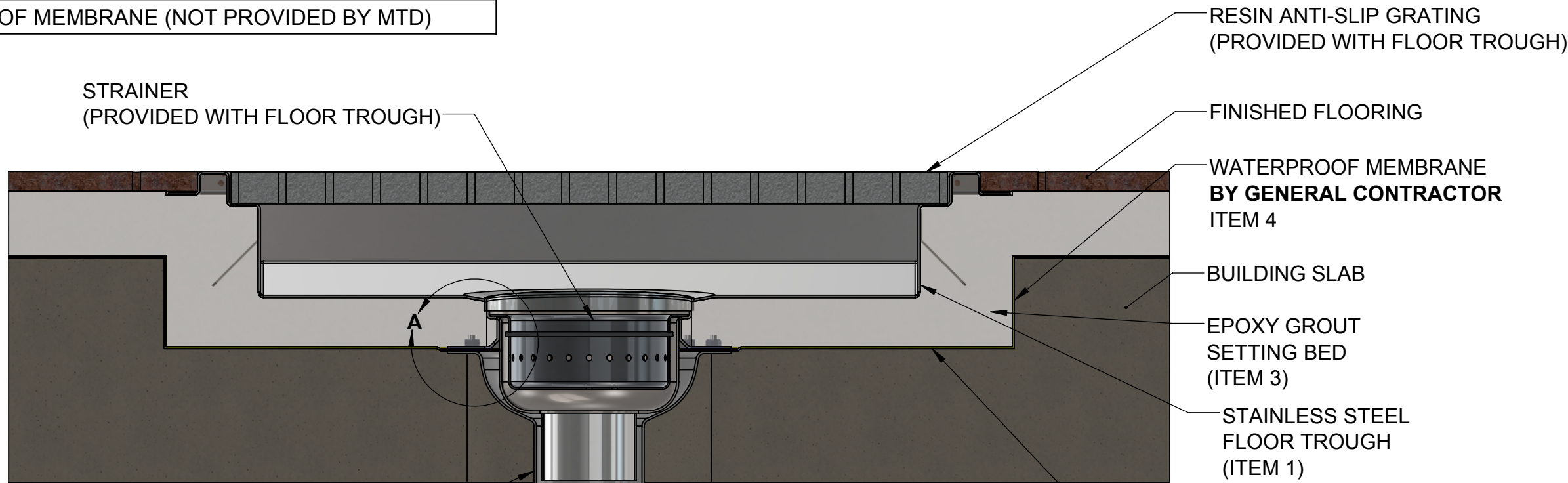
ITEM	QTY.	DESCRIPTION
1	12	NUT, 1/4-20" NYLON LOCKING
2	12	WELD STUD, 1/4-20" X 1/2"
3	1	SEEPAGE FLANGE
4	1	SUMP DRAIN



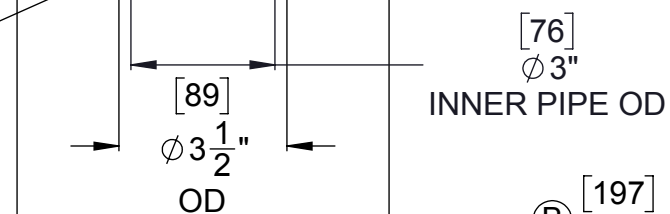
<small>MADE TO DRAIN RESERVES PROPRIETARY RIGHTS TO THIS DRAWING AND THE DATA SHOWN THEREON. SAID DRAWING AND/OR DATA ARE CLASSIFIED AND CONFIDENTIAL AND ARE NOT TO BE USED OR REPRODUCED FOR ANY PURPOSE WITHOUT WRITTEN CONSENT OF MADE TO DRAIN. COPYRIGHT 2012</small>		TITLE TYPICAL LE INSTALLATION MADE TO DRAIN	
DRAWN BY BCS	PROJECT:		
DATE 03/08/2019	SCALE 1:5	DRAWING NO. 152653	

ITEM	QTY.	DESCRIPTION
1	1	STAINLESS STEEL FLOOR TROUGH
2	1	3.5" NO HUB CONNECTOR (NOT PROVIDED BY MTD)
3	VARIABLES	EPOXY GROUT (NOT PROVIDED BY MTD)
4	VARIABLES	WATERPROOF MEMBRANE (NOT PROVIDED BY MTD)

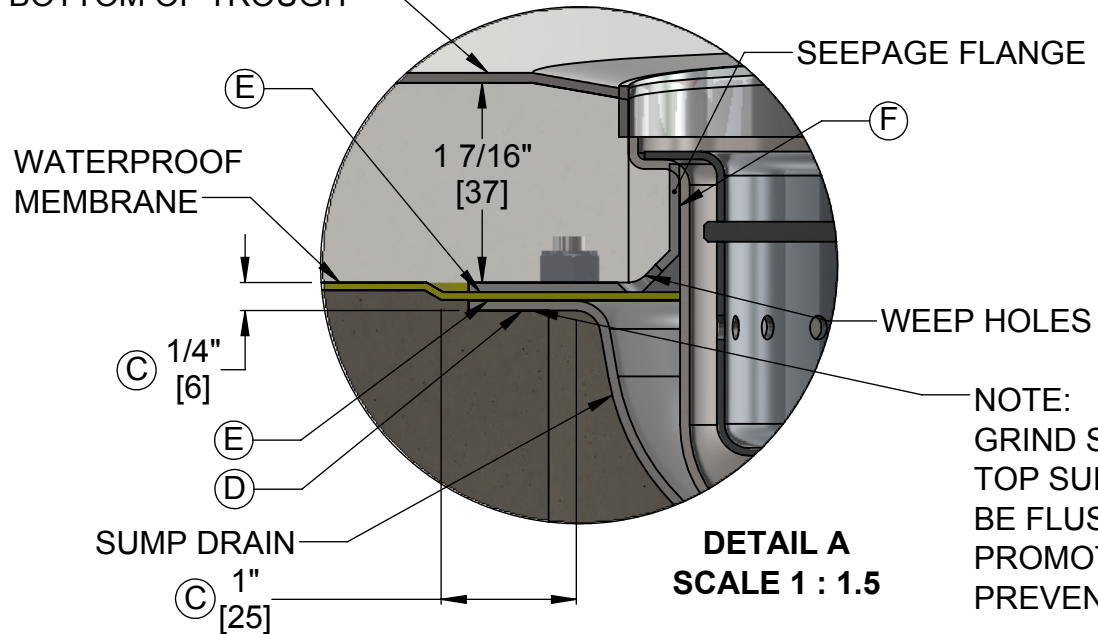
SECTION VIEW IS ONLY FOR REFERENCE OF A TYPICAL APPLICATION. NOT INTENDED FOR CONSTRUCTION. **SITE CONDITIONS MAY VARY.** COORDINATE ALL ASPECTS WITH BUILDING TRADES. *****CONSULT LOCAL CODES*****



TYPICAL ABOVE GRADE APPLICATION DRAIN MATES TO 3.5" [89] "NO HUB" CONNECTOR TO GREASE INTERCEPTOR (CHECK LOCAL CODES) (ITEM 2 - NOT SHOWN IN DRAWING)



BOTTOM OF TROUGH



DETAIL A
SCALE 1 : 1.5

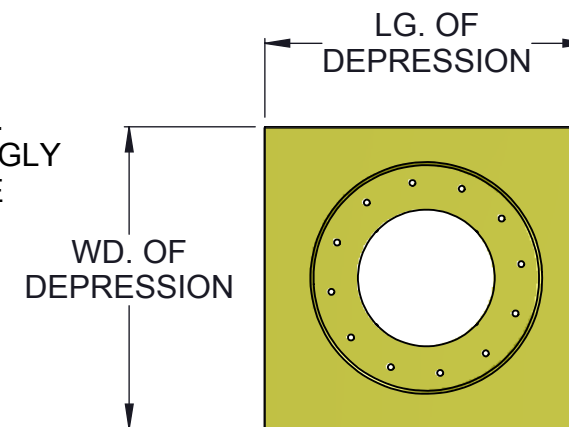
NOTE: GRIND SLAB TO RECESS FLANGES. TOP SURFACE OF MEMBRANE SHOULD BE FLUSH WITH SEEPAGE FLANGE TO PROMOTE DRAINAGE OF WATER AND PREVENT WATER DAM.

SECTION VIEW
NOT TO SCALE

[197] $\phi 7 \frac{3}{4}$ "

ROUND SLAB PENETRATION. LEAK ELIMINATOR IS STRONGLY RECOMMENDED FOR ABOVE GRADE INSTALLATIONS

DETAIL B
SCALE 1 : 8



NOTE: USE SEEPAGE FLANGE AS TEMPLATE TO CUT MEMBRANE AS SHOWN



<small>MADE TO DRAIN RESERVES PROPRIETARY RIGHTS TO THIS DRAWING AND THE DATA SHOWN THEREON. SAID DRAWING AND/OR DATA ARE CLASSIFIED AND CONFIDENTIAL AND ARE NOT TO BE USED OR REPRODUCED FOR ANY PURPOSE WITHOUT WRITTEN CONSENT OF "MADE TO DRAIN" COPYRIGHT 2012</small>		TITLE TYPICAL LE INSTALLATION MADE TO DRAIN	
DRAWN BY BCS	PROJECT:		
DATE 03/08/2019	SCALE 1:4	DRAWING NO. 152653	